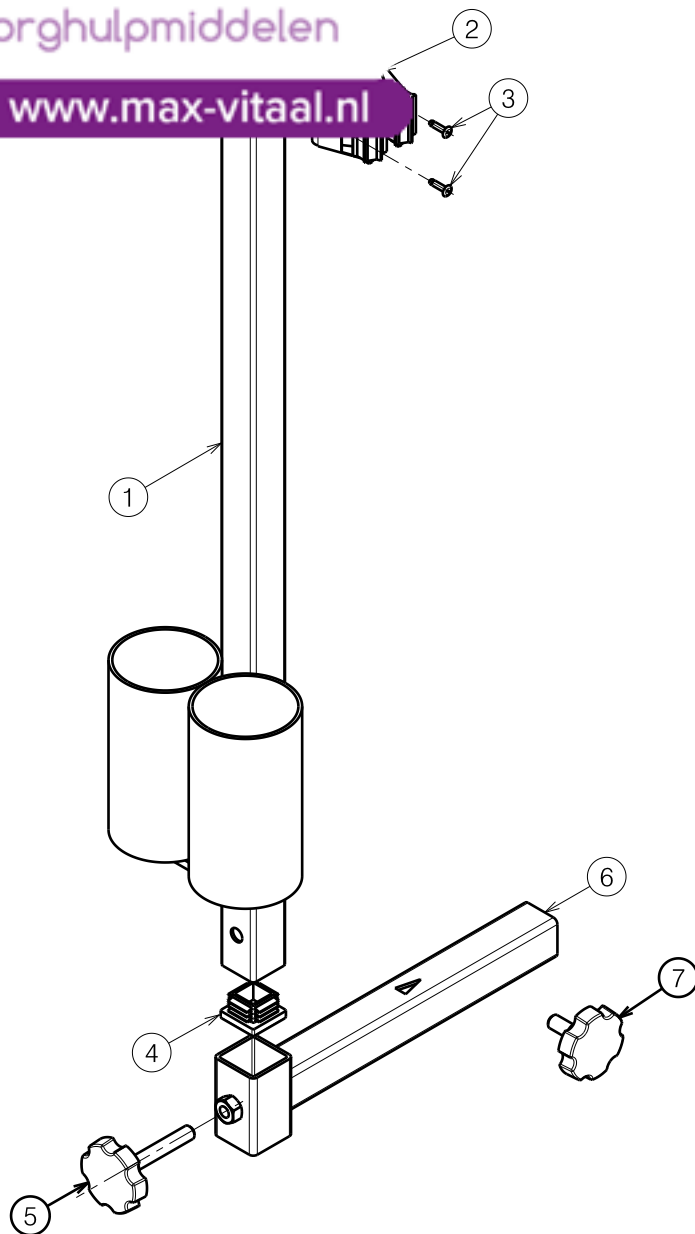




www.max-vitaal.nl

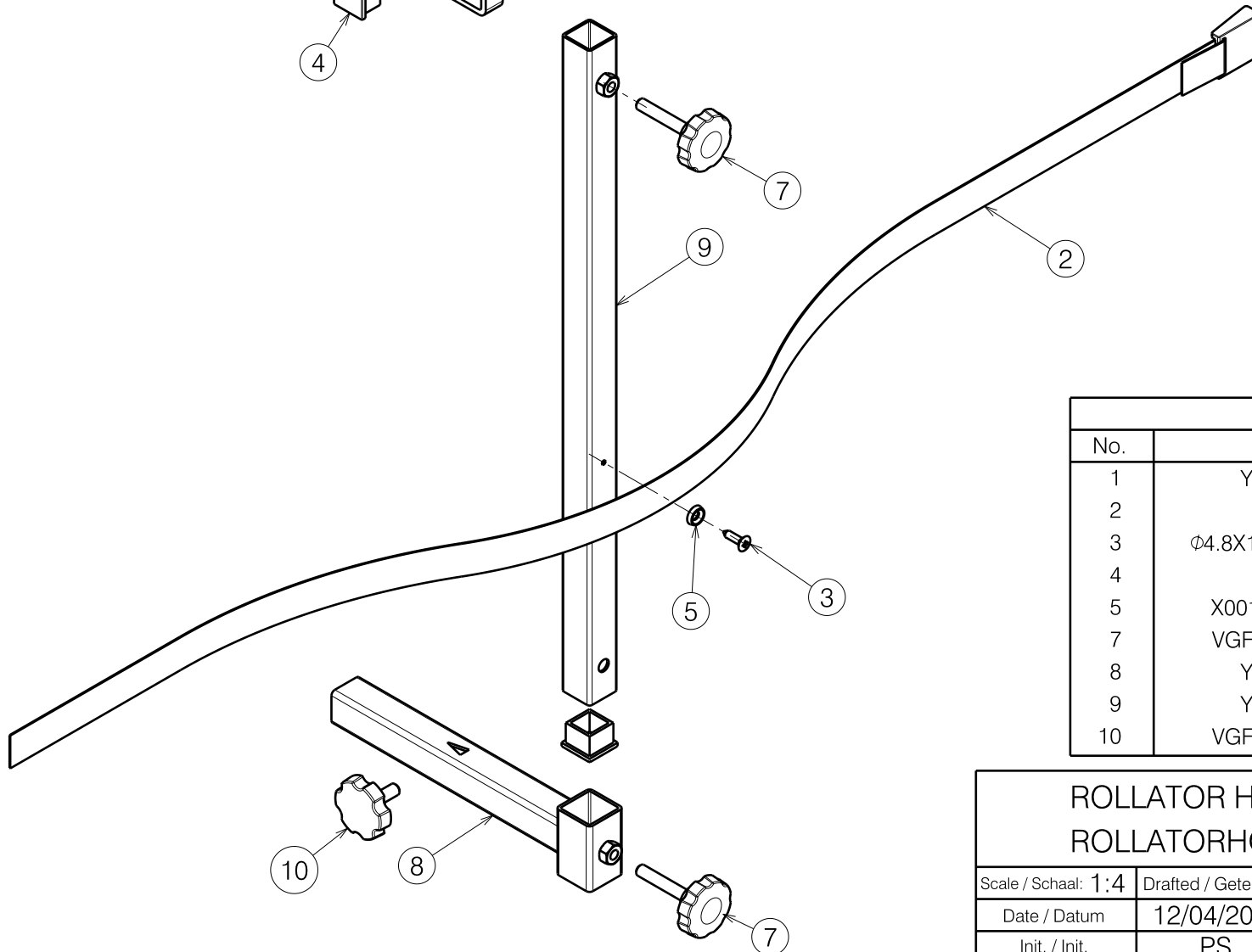
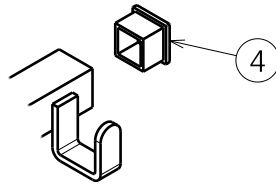


Material			
No.	Plan	Article	Quantity
1	Y017126	1740054	1
2	Ø22	1908818	2
3	Ø3x10	1908849	4
4	25x25	1001617	2
5	VGF40 M8x45	2990016	1
6	Y023056	2051554	1
7	VGF40 M8x16	2990024	1

E000649 / L

2991004

B31 CRUTCH HOLDER				Plan Number
				E000649/L
Scale: 1:4	Drafted	Verified	Confirmed	
Date	13/09/2010	20/09/2018	20/09/2018	
Initials	TT	TT	PJ	

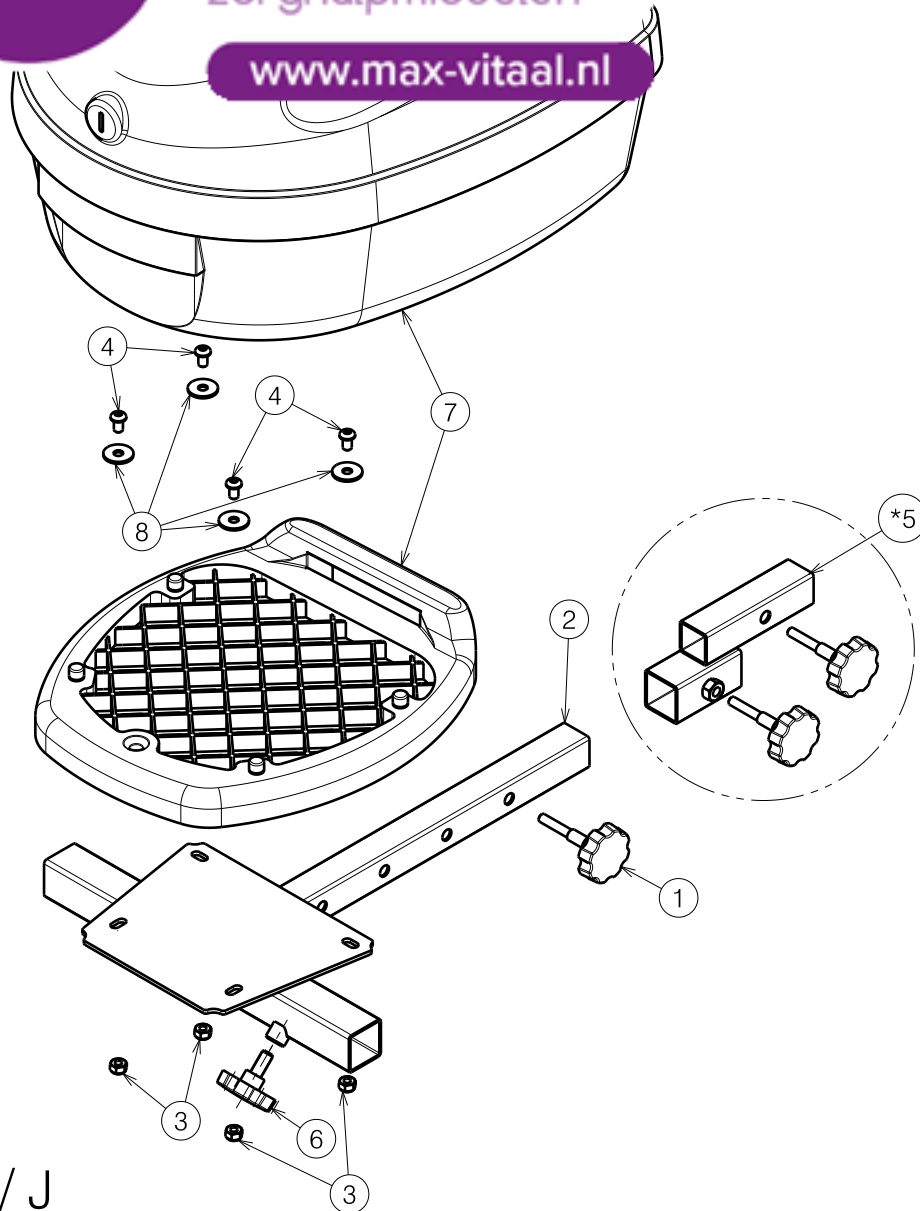


Material			
No.	Plan	Article	Quantity
1	Y008182	1610754	1
2	Belt	1000551	1
3	Ø4.8X19 (DIN7983)	1001534	1
4	25x25	1001617	3
5	X001473 (PA6)	1002994	1
7	VGf 40 M8x45	2990016	2
8	Y023056	2051554	1
9	Y023058	2052254	1
10	VGf 40 M8x16	2990024	1

1904796

ROLLATOR HOLDER SHOPRIDER ROLLATORHOUDER SHOPRIDER			Plan No. / Plannr. E000218/F
Scale / Schaal: 1:4	Drafted / Getekend	Verified / Nagezien	Confirmed / Bevestigd
Date / Datum	12/04/2005	03/05/2019	03/05/2019
Init. / Init.	PS	TT	PJ





E000813 / J

* Adapter Carpo4 Deluxe / Carpo2 / Ceres

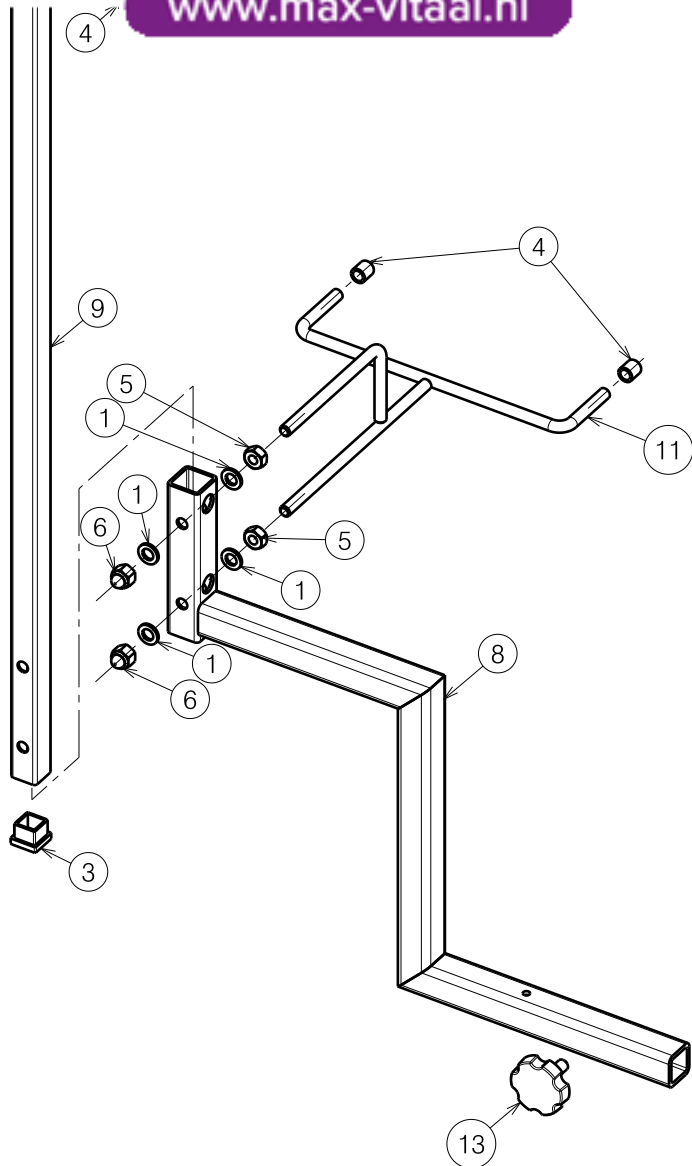
Material			
No.	Plan	Article	Quantity
1	XP00116	2990074	1
2	Y018748	1773854	1
3	---	1001682	4
4	---	1900641	4
*5	E001128	1908396	1
6	---	2990024	1
7	---	W201138	1
8	---	1909451	1

1908395 *

1908152

SW03 TOPCASE FOR SCOOTER SW03 KOFFER VOOR SCOOTER			Plan No. E000813 / J
Scale: 1:5	Drafted	Verified	Confirmed
Date	29/05/2012	06/05/2019	06/05/2019
Initials	TT	TT	PJ





Material			
No.	Plan	Article	Quantity
1	M8 DIN125B	1001556	4
2	M8x20	1001580	1
3	20x20	1001612	1
4	Ø7.8	1001622	6
5	M8 DIN934	1001671	2
6	M8x14	1902024	2
8	Y022385	2042104	1
9	Y021532	2014304	1
10	Y021533	2014004	1
11	Y021537	2014204	1
13	M8x16	2990024	1

1913980

E000996 / F

ROLLATOR HOLDER FOR QUADRI LIGHT

Plan No.

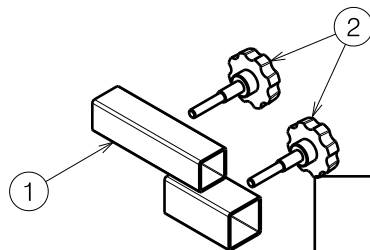
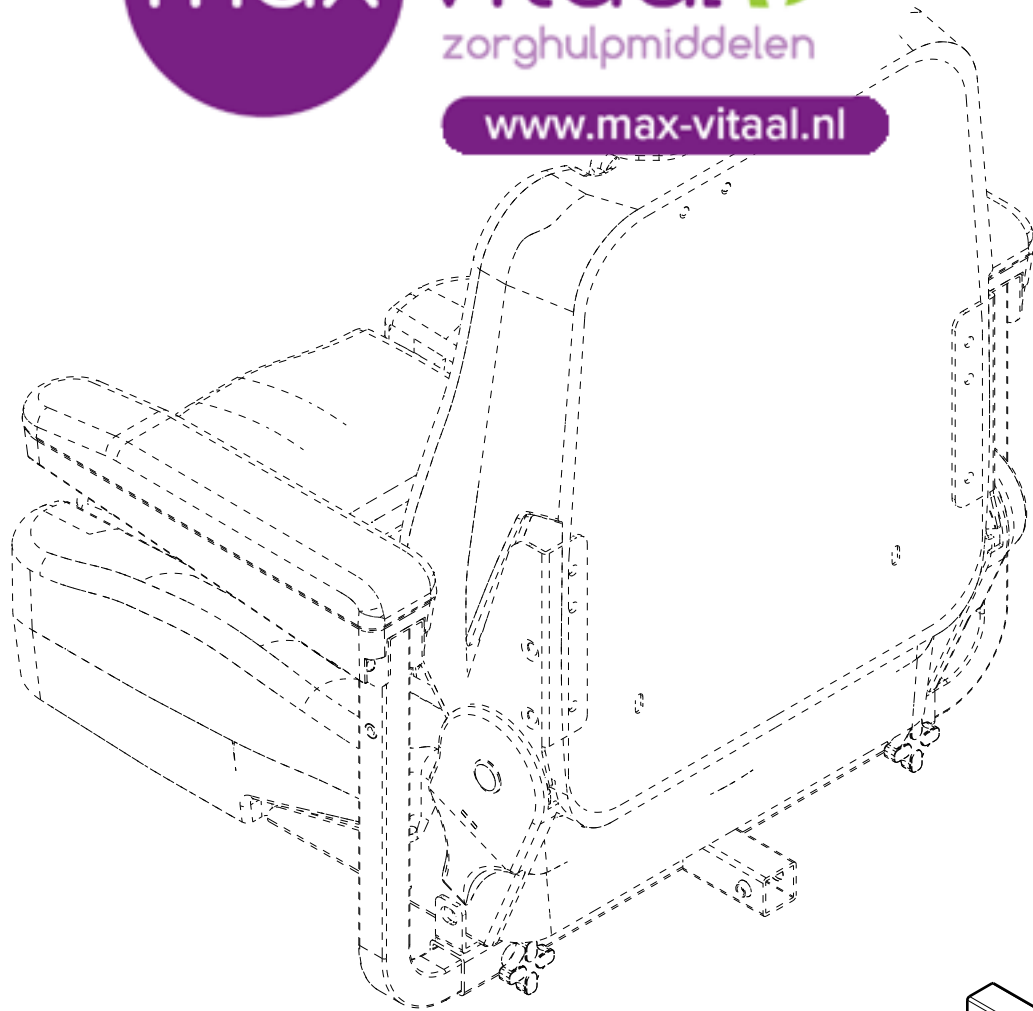
E000996 / F

Scale: 1:5	Drafted	Verified	Confirmed
Date	21/09/2015	06/05/2019	06/05/2019
Initials	TT	TT	PJ





www.max-vitaal.nl



Material			
No.	Plan	Article	Quantity
1	Y018809	1776254	1
2	XP00116 VGF 40 M8x16 L=45	2990074	2

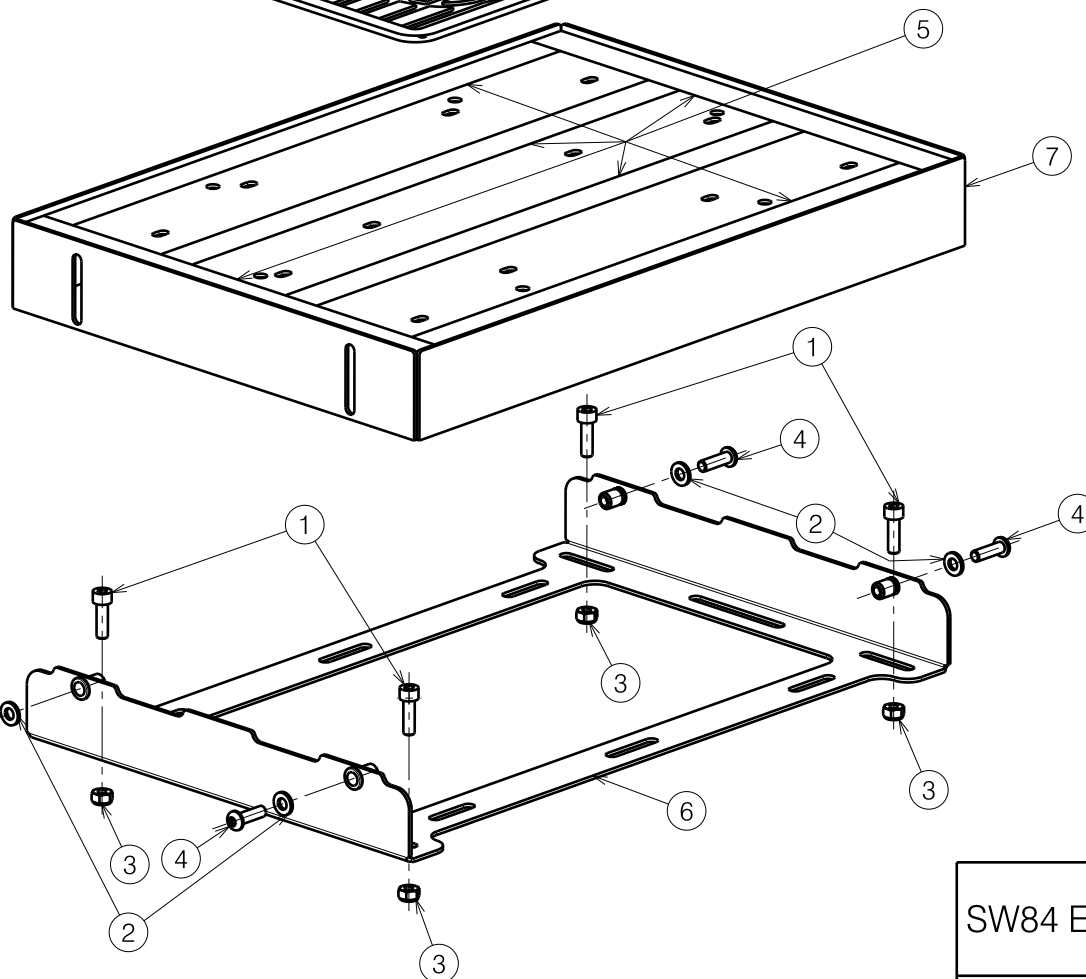
1908396

ADAPTER FOR SW03 CARPO / CERES				Plan No.
				E001128 / A
Scale: 1:5	Drafted	Verified	Confirmed	
Date	03/05/2019	06/05/2019	06/05/2019	
Initials	TT	SD	PJ	

E001128 / A



www.max-vitaal.nl



Material			
No.	Plan	Article	Quantity
1	M6x20 DIN912/8.8	1001493	4
2	M6 DIN125A	1001564	4
3	M6 DIN985	1001680	4
4	M6x20 ISO7380	1006999	4
5	24mm	1904848	2m
6	Y023670	2072854	1
7	Y023674	2072954	1
8	XC00496	3991982	1

Note:

Position of mounting holes, for bolts (item 1) in plastic foot plate, can vary from model to model. Use plate sleeves of frame (item 6) as guides to drill the holes and to avoid drilling through cables or chassis tubes

E001130 / C

SW84 ELEVATED FOOT PLATE CARPO-CERES

Plan No.

E001130 / C

Scale: 1:4

Drafted

Verified

Confirmed

Date

18/06/2019

27/05/2020

27/05/2020

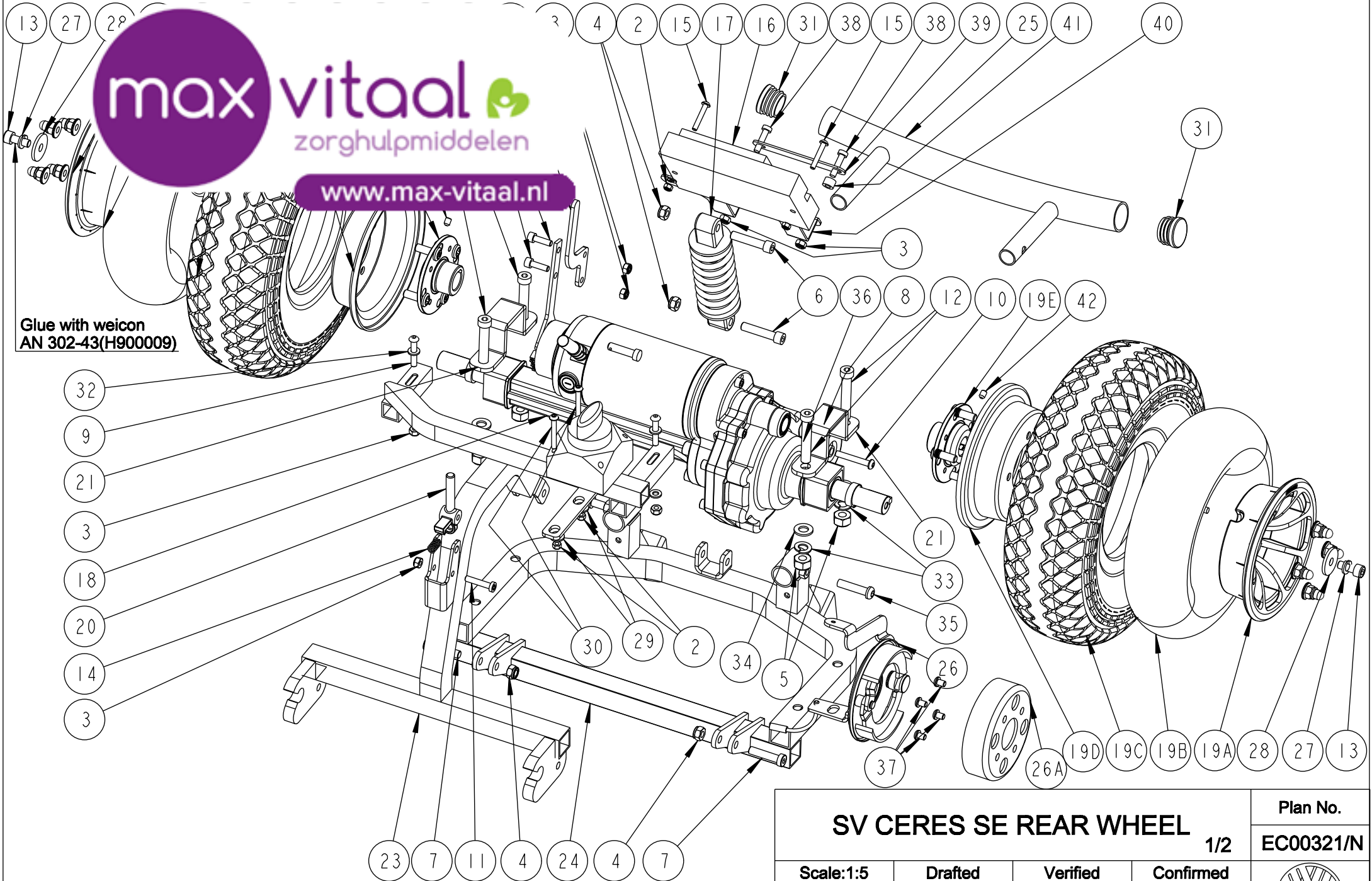
Initials

TT

TT

PJ






www.max-vitaal.nl

Glue with weicon
AN 302-43(H900009)

EC00321/N

SV CERES SE REAR WHEEL				Plan No.
1/2				EC00321/N
Scale:1:5	Drafted	Verified	Confirmed	
Date	30/12/2016	19/02/2021	07/09/2020	
Init.	KZ	AL		

Only for
When u
in10K the
number wa
PCS



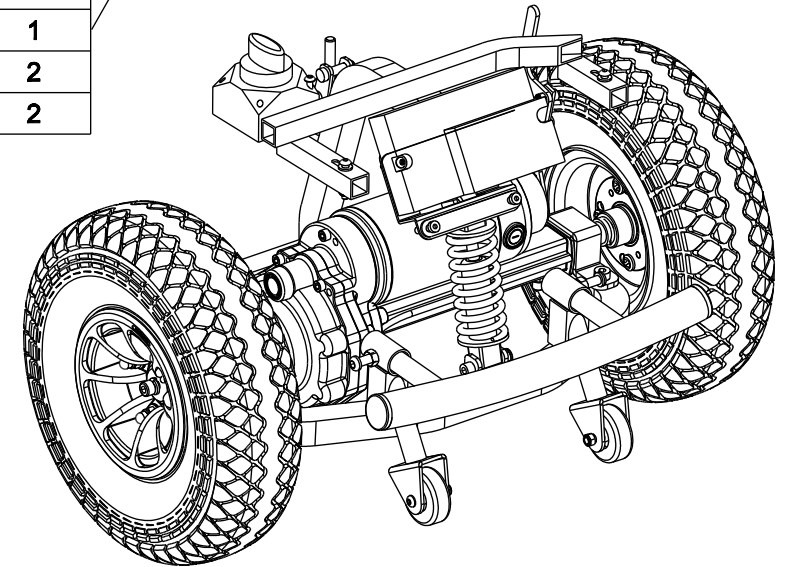
www.max-vitaal.nl

Material

Material

No.	Plan	Article	Number
	XC00503	1C61000	1
	---	1001570	2
	---	3991137	2
	---	1005138	2
	---	3992407	2
	---	1903928	2
	---	1001564	4
	---	1001566	4
	---	1001558	4
	---	1007516	2
	---	3991110	2
	---	3990062	4
	---	1001494	2
	YC01797	1C62404	1
	YC01799	1C62304	1
	XP00545	GP03900	2
	---	3993238	2

Only for 15K



Only for 15K

Only for 10K

Only for 10k

Only for 15K

Only for 15K

Only for 10K

EC00321/N

7	---	1000007	2	32
8	---	3990909	2	33
9	---	1006057	2	34
10	---	3991108	2	35
11	---	1903903	1	36
12	---	3992161	4	37
13	---	3992218	2	38
14	---	1737100	1	39
15	---	3992264	2	40
16A	---	3990623	1	41
16B	---	3990622	1	42
17	---	3991959	1	
18A	XC00486	3992041	1	
18B	XC00918	3993577	1	
19	---	3992565	2	
19A	XC00509	1C611	2	
19B	---	1911440	2	
19C	---	1905407	2	
19D	XC00510	1C612	2	
19E	XC00435	1C506	2	
20	XC00459	1C54399	1	
21	YC00613	1C222	2	
22A	YC01706	1C55404	1	
22B	YC01790	1C64504	1	
23	YC01724_DP	1C56104	1	
24	YC01725	1C56204	1	
25	YC01727	1C56404	1	
26	XC00508	3991989	1	

SV CERES SE REAR WHEEL

2/2

Plan No.

EC00321/N

Scale:1:5

Drafted

Verified

Confirmed

Date

30/12/2016

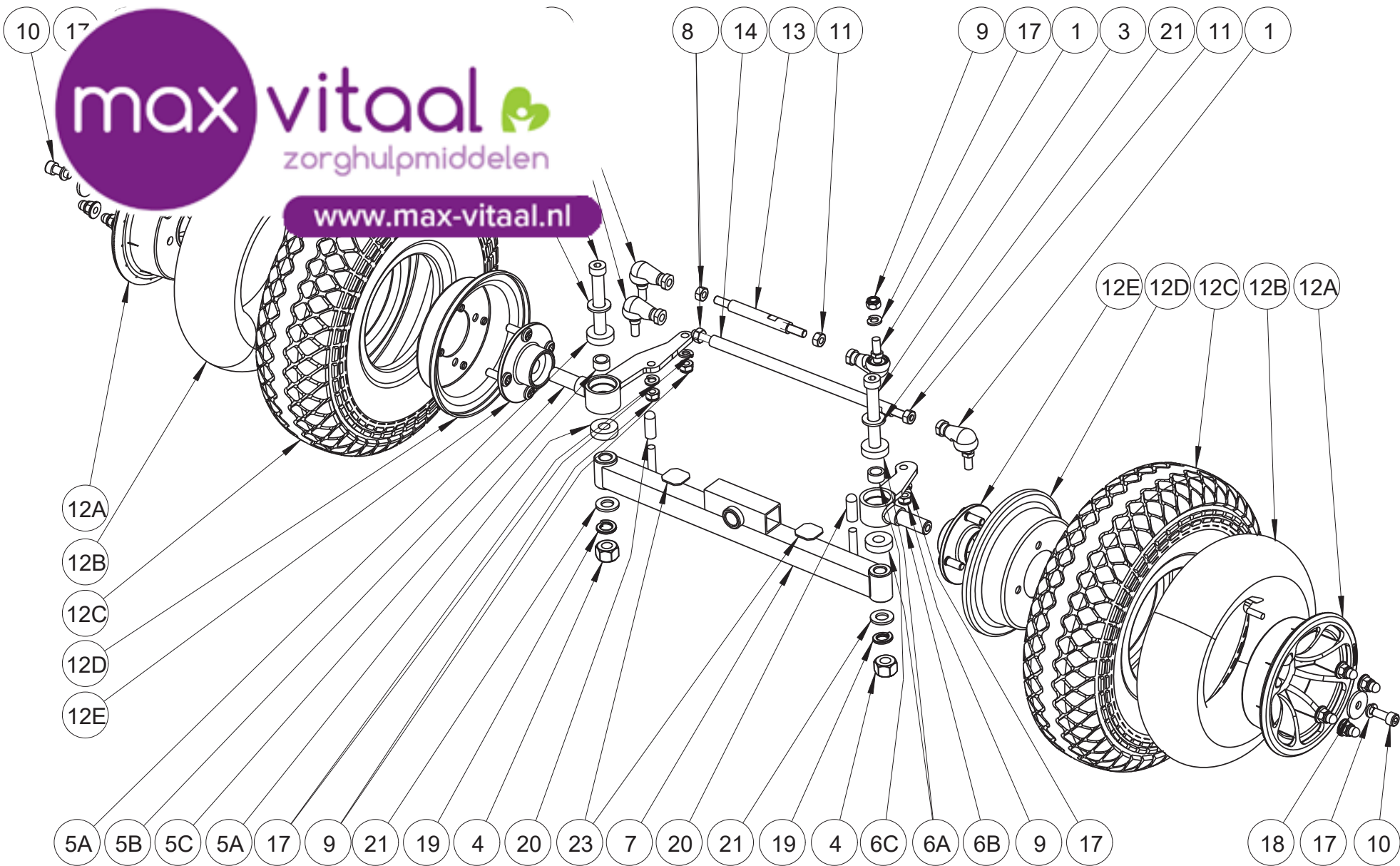
19/02/2021

Init.


KZ

AL





EC00322/F


SV CERES SE FRONT WHEEL			Plan No.	
			1/2	
Scale:1:5	Drafted	Verified	Confirmed	
Date	19/09/2017	03/07/2015	03/07/2015	
Init.	Mars	Mars	TG	



www.max-vitaal.nl

5B	XC00461	1C53899	1
5C	X002709	1553400	1
6	---	3992311	1
6A	---	1992559	2
6B	XC00462	1C53999	1
6C	X002709	1553400	1
7	YC01719_DP	1C556	1
8	---	3992037	2
9	---	1001682	4
10	---	3992218	2
11	---	1001671	2
12	---	3992564	2
12A	XC00509	1C611	2
12B	---	3991986	2
12C	---	3991987	2
12D	XC00510	1C612	2
12E	XC00434	1C505	2
13	XC00456	1C54100	1
14	XC00457	1C54200	1
15	---	---	-
16	---	---	-
17	---	1001570	6
18	---	3991137	2
19	---	1001572	2
20	XC00514	3992219	2
21	---	1001561	4
22	---	---	-
23	XC00529	3992256	2

EC00322/F

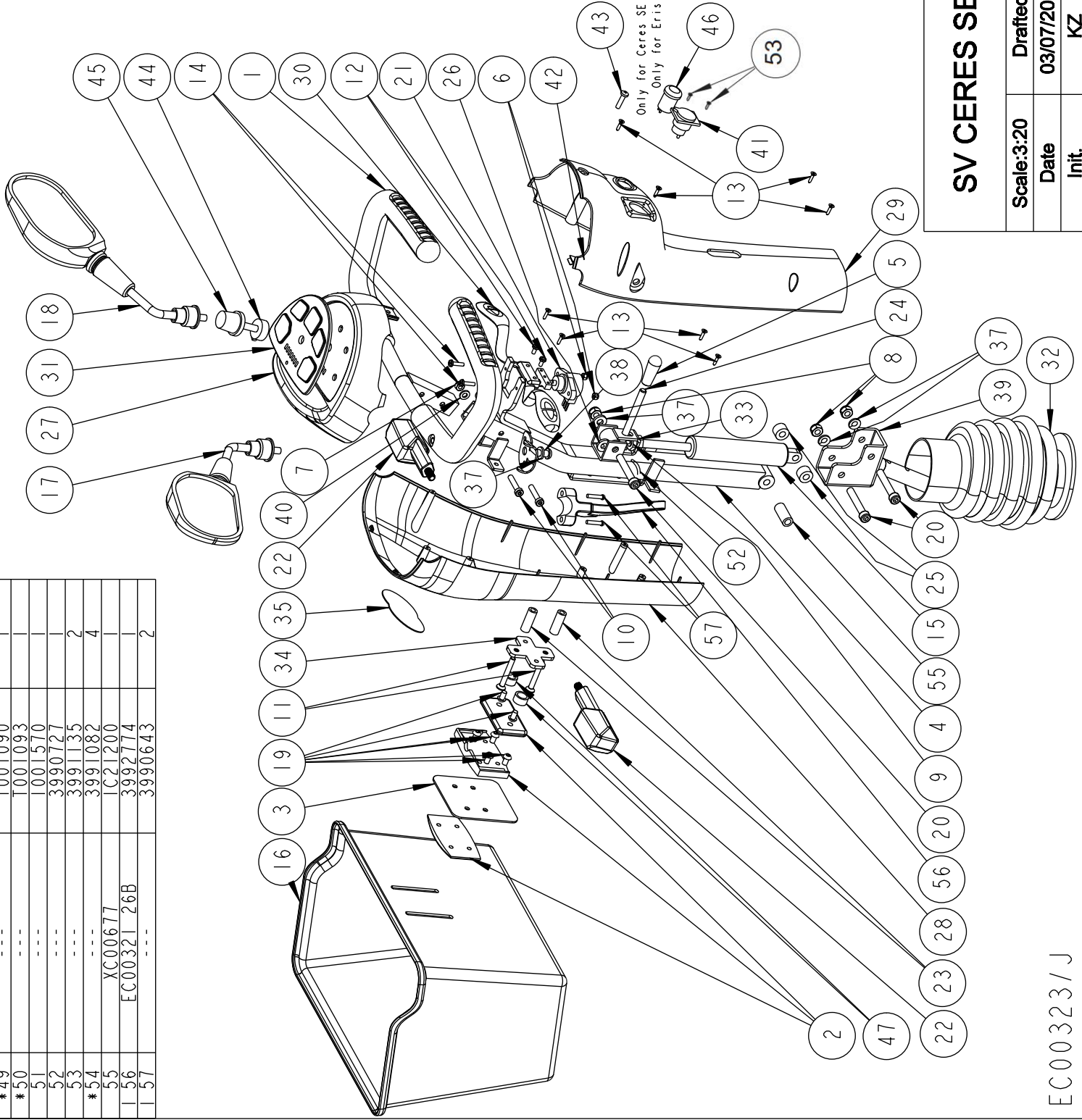
SV CERES SE FRONT WHEEL				Plan No.
				EC00322/F
Scale:1:1	Drafted	Verified	Confirmed	
Date	19/09/2017	25/04/2016	25/04/2016	
Init.	Mars	Mars	TG	

*49	---	T001090	
*50	---	T001093	
51	---	T001570	
52	---	3990727	
53	---	3991135	2
*54	---	3991082	4
55	XC00677	IC21200	
56	EC00321_26B	3992774	2
57	---	3990643	2

Material		Plan	Article	Number
No.				
1		XC00483	3991953	1
2		---	3990791	1
3		YC00616	IC31904	1
4		YC01718_DP	IC54504	1
5		---	---	1
6		---	---	2
7		---	---	2
8		---	---	1
9		---	---	1
10		---	---	1
11		---	---	1
12		---	---	1
13		---	---	1
14		---	---	1
15		---	---	1
16		---	---	1
17		---	---	1
18		---	---	1
19		---	---	1
20		---	---	1
21		---	---	1
22		---	---	1
23		XC00	---	1
24		XC00	---	1
25		XC00	---	1
26		XC00	---	1
27		XC00	---	1
28		XC00	---	1
29		XC00	---	1
30		XC00	---	1
31		XC00	---	1
32		XC00	---	1
33		XC00	---	1
34		YC00866	---	1
35A		---	3996676	1
35B		---	3992404	1
37		---	3992629	3
38		---	1991858	1
39		XC00484	IC58099	1
40		---	1001564	2
41		---	3992018	1
42		XC00185	3990790	1
43		---	3991136	1
44		---	3992118	1
45		---	3992554	1
46		---	3992017	1
47		---	3992773	2
*48		---	3990780	1



www.max-vitaal.nl



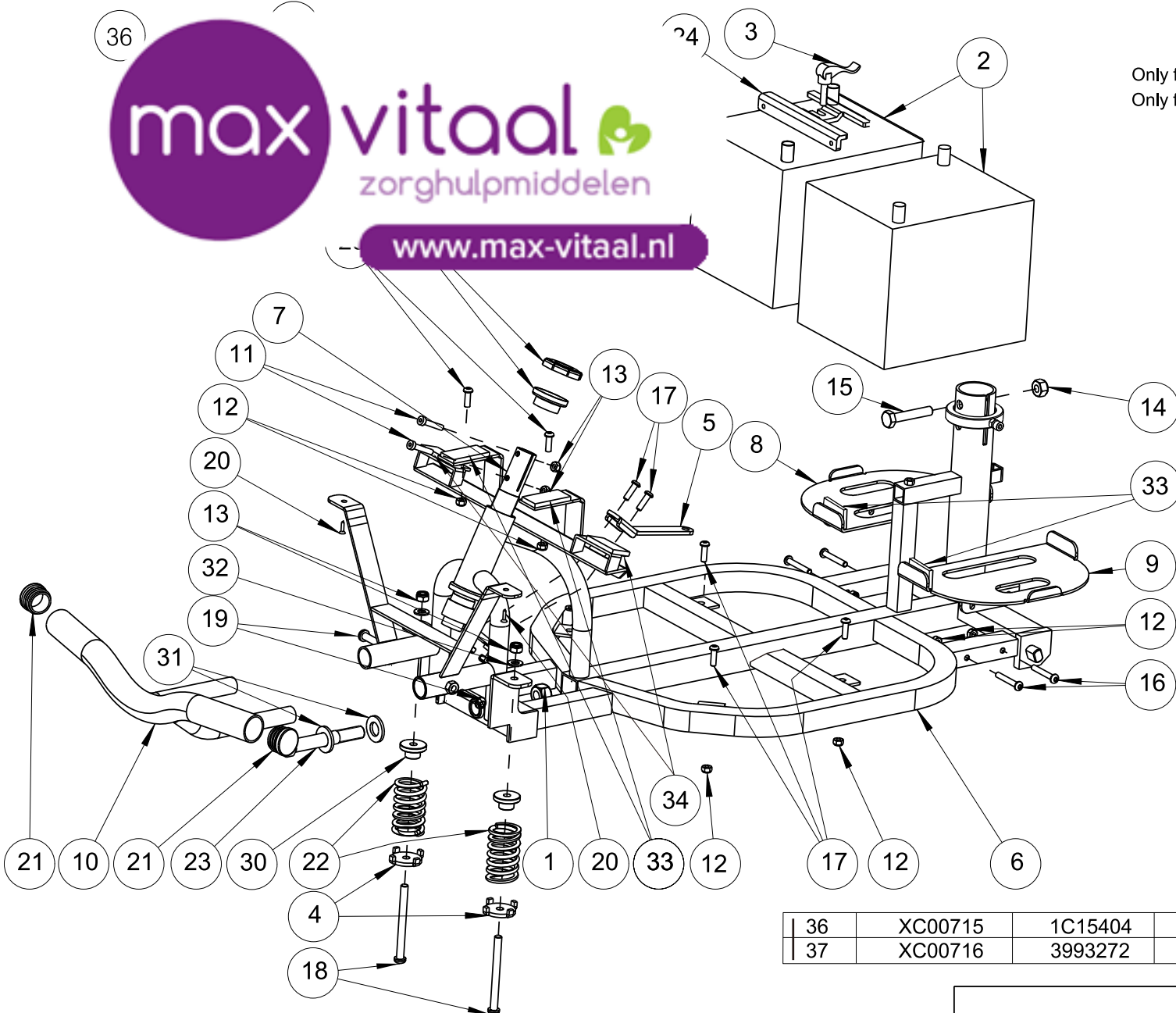
SV CERES SE UPPER BRACKET		Scale: 3:20	Drafted	Verified	Confirmed
		Date	Init.	AL	TG
		03/07/2015	KZ	11/15/2019	11/15/2015
Plan No.		EC00323/J			

EC00323/J

36



www.max-vitaal.nl



Only for 15K
Only for 10K

Material

No.	Plan	Article	Number
1	---	3991097	1
2A	---	3992555	2
2B	---	1909446	2
3	---	3992314	1
4	YC01701	1C55504	2
5	YC01704	1C54004	1
6	YC01720_DP	1C55704	1
7	YC01721	1C55800	1
8	YC01723	1C56004	1
9	YC01722	1C55904	1
10	YC01726	1C56304	1
11	---	1007516	2
12	---	1001680	12
13	---	1001682	4
14	---	1001683	1
15	---	1005636	1
16	---	1991017	4
17	---	1006999	6
18	---	3992232	2
19	---	1007516	2
20	---	1005767	2
21	---	1903928	2
22	---	3991958	2
23	XC00538	3992261	1
24	YC02054	1C74704	1
-	---	---	-
27	---	3990781	1
29	---	3991095	2
30	XC00452	GC00097	2
31	---	3992610	2
32	---	1001554	2
33	XC00179	3990713	4
34	XC00274	3990732	2
35	---	1001670	1

36	XC00715	1C15404	1
37	XC00716	3993272	1

EC00324/I

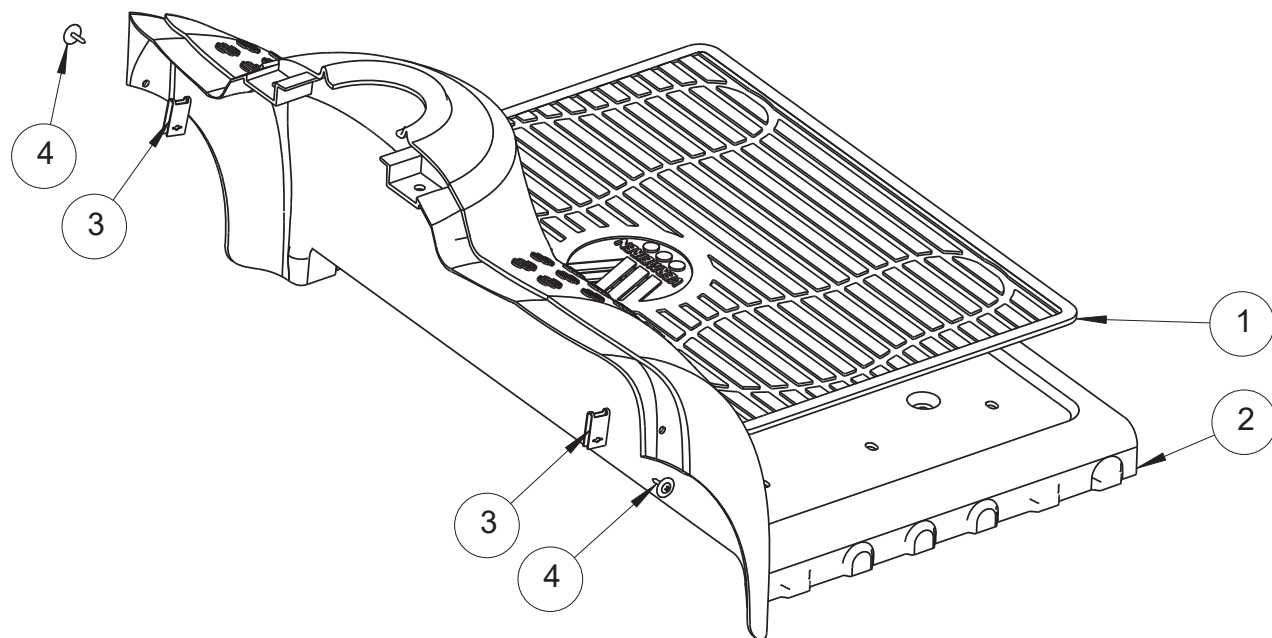
SV CERES SE MAIN BASIC				Plan No.
				EC00324/I
Scale:3:20	Drafted	Verified	Confirmed	
Date	05/03/2016	17/07/2019	17/07/2019	
Init.	KZ	NY	TG	




www.max-vitaal.nl

Material			
No.	Plan	Article	Number
1	XC00496	3991982	1
2	XC00467	3991950	1
	YC01852	3992270	1
3	XC00364	3991351	2
4	---	3991368	2

Only for Belgium after sales



EC00325/C

SV CERES SE FOOTPIATE SHELL				Plan No.
				EC00325/C
Scale:1:5	Drafted	Verified	Confirmed	
Date	03/07/2015	03/07/2015	03/07/2015	
Init.	KZ	JJQ	TG	



www.max-vitaal.nl

Material			
No.	Plan	Article	Number
1	---	1001530	3
2	---	3990603	1
3	XC00466	1C549RE 1C549SI 1C549CH	1
4	YC01781	1C60600	1
5	YC00680	1C27900	1
6	---	3991134	1




EC00326/C

SV CERES SE FRONT SHELL				Plan No.
				EC00326/C
Scale:3:10	Drafted	Verified	Confirmed	
Date	19/09/2017	03/07/2015	03/07/2015	
Init.	Mars	JJQ	TG	



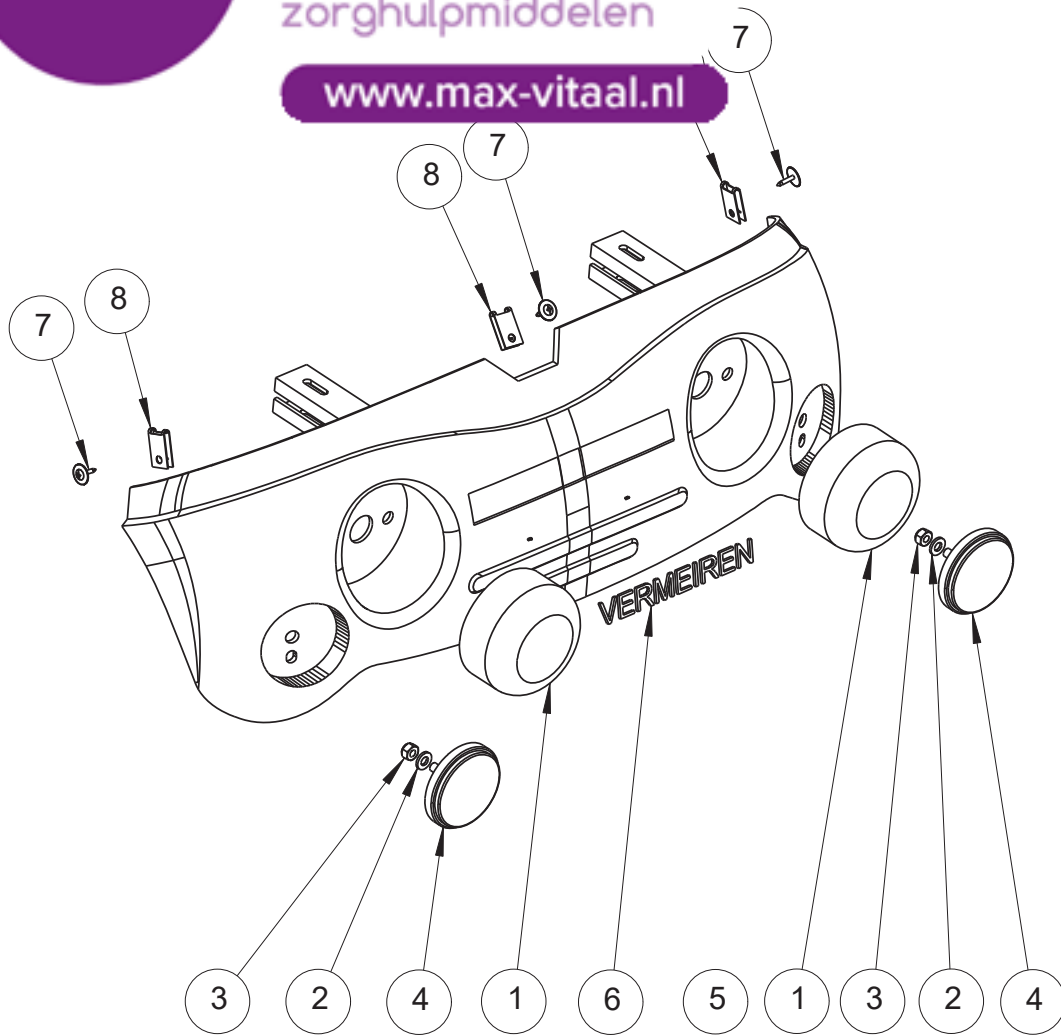
Material			
No.	Plan	Article	Number
1	---	1001564	2
2	---	1001680	2
3	---	3990602	2
4	XC00468	1C551RE 1C551SI 1C551CH	1
5	---	3991368	2
6	---	3992052	1
7	XC00365	3991351	2
*8	---	3991104	1
*9	---	T001115	1

EC00327/B

SV CERES SE MID SHELL				Plan No.
				EC00327/B
Scale:1:5	Drafted	Verified	Confirmed	
Date	19/09/2017	03/07/2015	03/07/2015	
Init.	Mars	JJQ	TG	



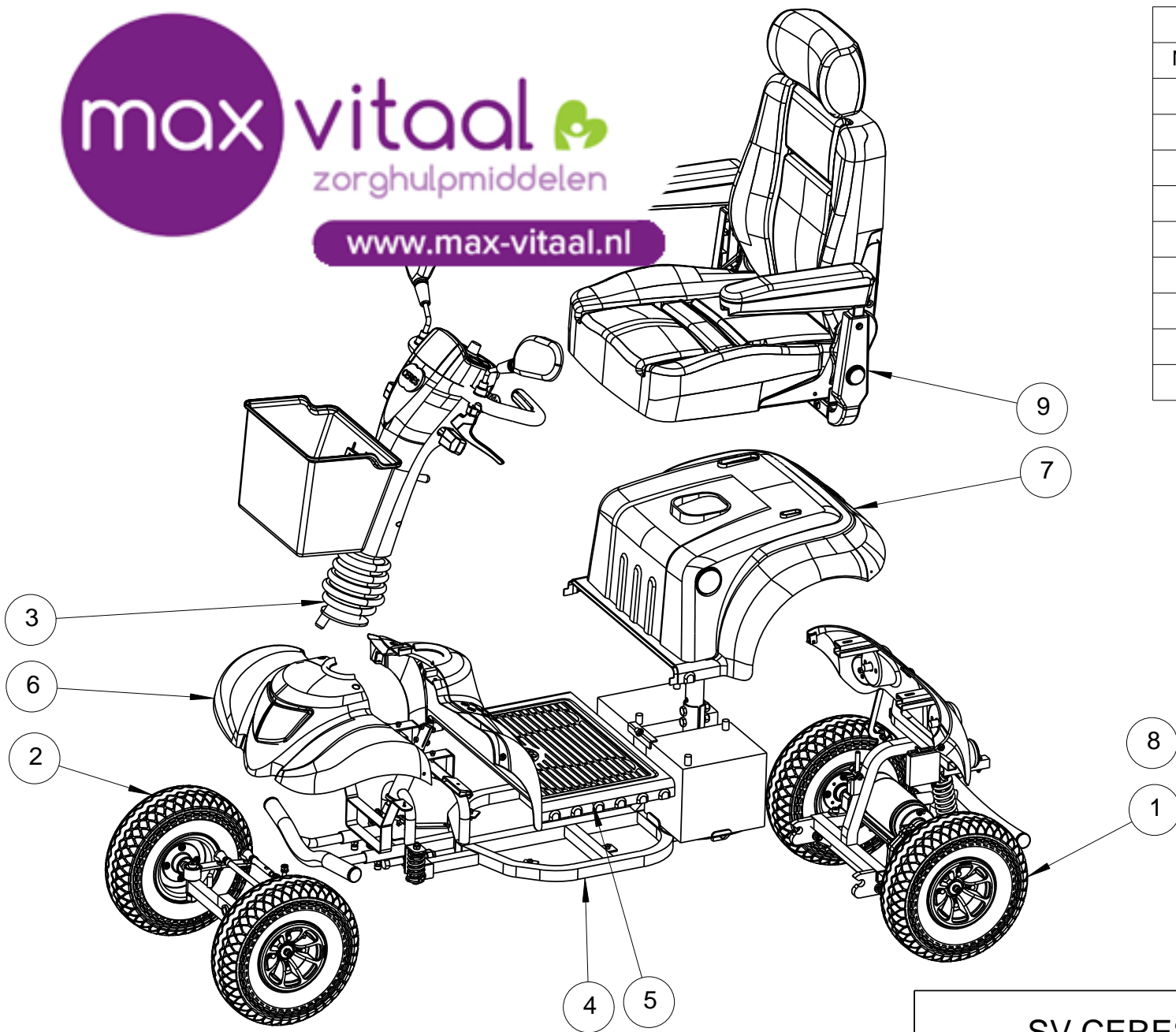
www.max-vitaal.nl



Material			
No.	Plan	Article	Number
1	---	3992558	2
2	---	1001564	2
3	---	1001680	2
4	---	3990601	2
5	XC00469	3991951	1
6	XC00493	3991980	1
7	---	3991368	3
8	XC00364	3991351	3


EC00328/C

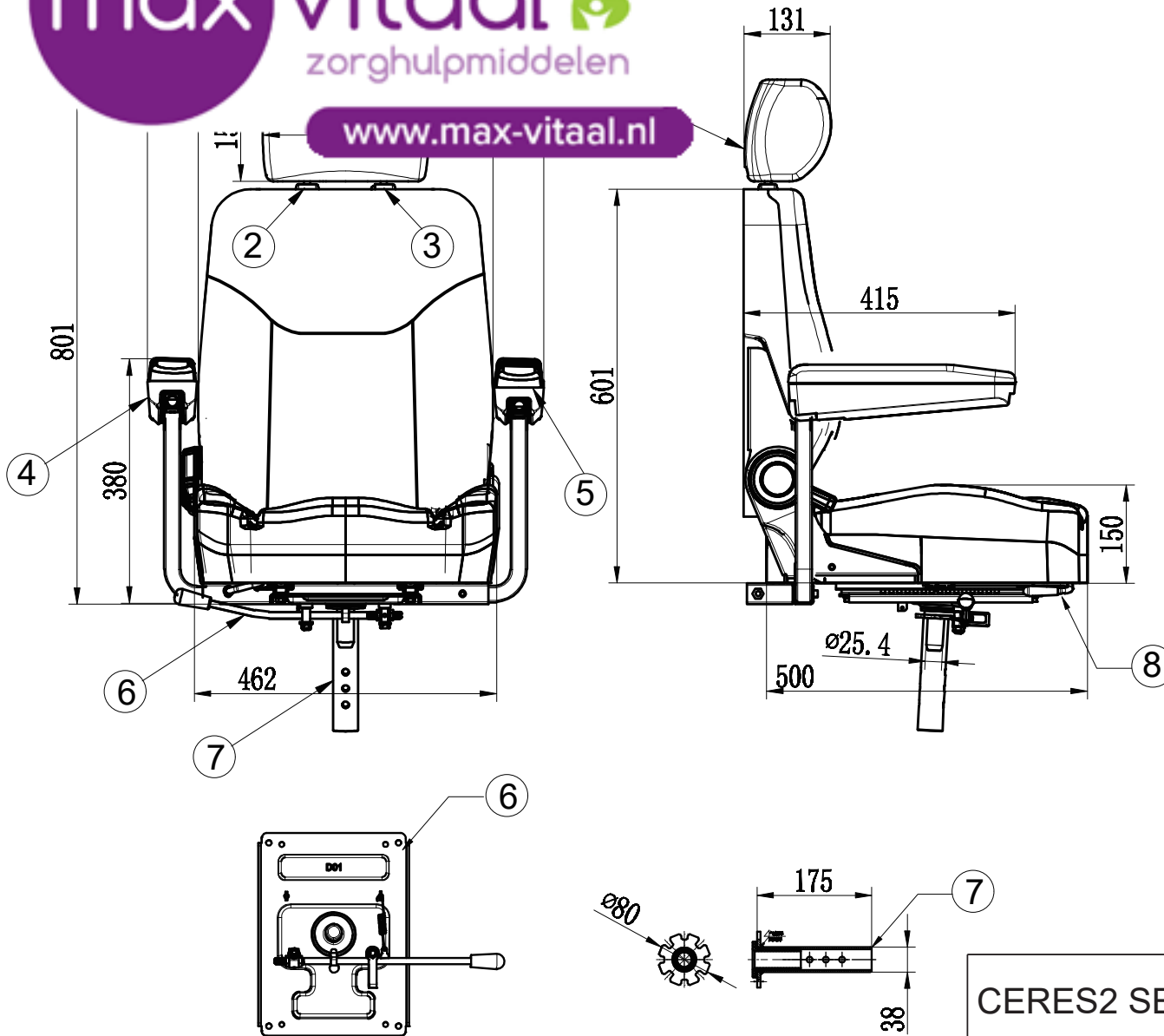
SV CERES SE REAR SHELL				Plan No.
				EC00328/C
Scale:1:5	Drafted	Verified	Confirmed	
Date	19/09/2017	03/07/2015	03/07/2015	
Init.	Mars	JJQ	TG	



Material			
No.	Plan	Article	Number
1	EC00321	---	1
2	EC00322	---	1
3	EC00323	---	1
4	EC00324	---	1
5	EC00325	---	1
6	EC00326	---	1
7	EC00327	---	1
8	EC00328	---	1
9	EC00330	---	1

EC00329/A

SV CERES 2 SCOOTER				Plan No.
				EC00329/A
Scale:1:10	Drafted	Verified	Confirmed	
Date	03/07/2015	03/07/2015	03/07/2015	
Init.	KZ	JJQ	TG	



Material			
No.	Plan	Article	Number
1	---	3992586	1
2	---	3991897	1
3	---	3991898	1
4	---	R 3992587	1
5	---	L 3992588	1
6	---	3992589	1
7	XC00513	3992590	1
8	---	3992591	1

* 1~8 料号仅用于售后服务

* 1~8 Only for customer service

EC00330/A

3992585

CERES2 SEAT/BACK COMPLETE SET

Plan No.

EC00330/A

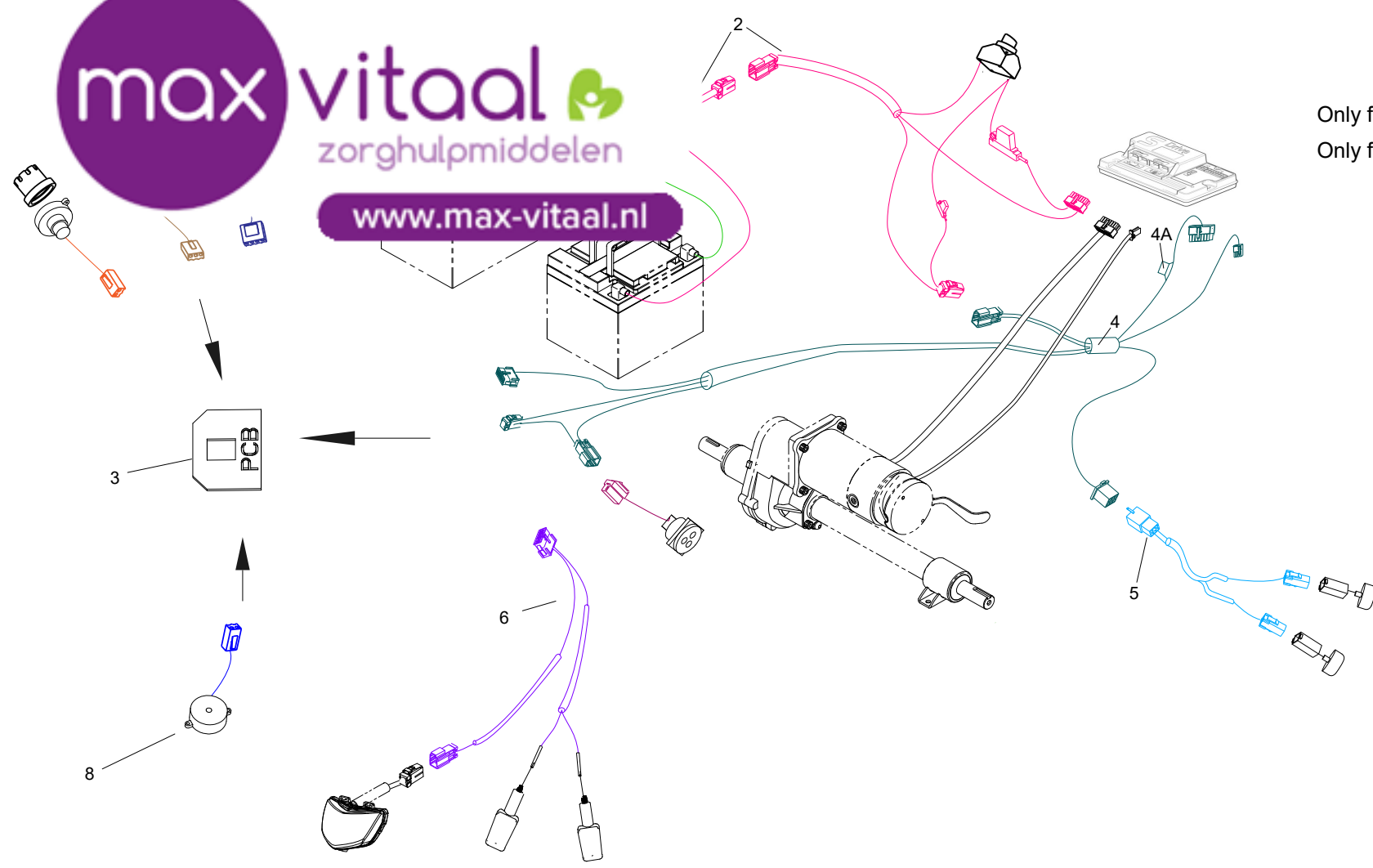
Scale:3:20	Drafted	Verified	Confirmed
Date	29/03/2016	29/03/2016	29/03/2016
Init.	Mars	Mars	TG





max vitaal
zorghulpmiddelen

www.max-vitaal.nl



Material		
No.	Article	NUM
1	3992595	1
2	3992007	1
2	3992592	1
3	3992597	1
4	3992594	1
4A	3992280	1
5	3992596	1
6	3992593	1
8	3992014	1

Only for 10K
Only for 15K

EC00355/D

CERES SE 10K/15K DIAGRAM CABLES				Plan No.
				EC00355/D
Scale:	Drafted	Verified	Confirmed	
Date	19/09/2017	21/05/2018	21/05/2018	
Init.	Mars	Mars	TG	